

### 3. Notes on Design and Installation

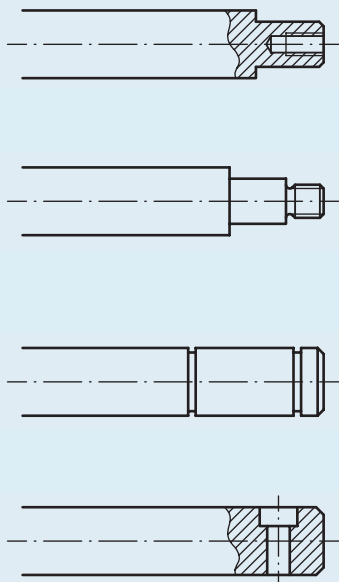


Fig. 18

#### 3.5 Special designs

In addition to the standard sizes and catalog dimensions, all guide elements can be adapted to your specific requirements and produced on the basis of workpiece drawings.

##### Examples of guide shafts:

- Guide shafts of customized lengths
- Internal thread
- Shoulder with internal or external thread
- Recess for safety ring
- Collar for clamping
- Through-bore for screwing into a vee-block
- Guide shaft made of stainless rolling bearing steel 1.4112

##### Examples of guide bushes:

- With dimensions  $d_1$ ,  $d_{br}$ ,  $l_1$  deviating from the standard dimensions
- With recesses for mounting with safety rings
- With flange for axial clamping
- Made of stainless rolling bearing steel 1.4112

##### Examples of ball cages:

- Ball cages with dimensions  $d_{wr}$ ,  $l_2$ ,  $k$  differing from those of the standard ranges
- Ball cages with higher number of balls for particularly high loading
- Ball cages with balls made of stainless rolling bearing steel (1.4112) or other materials